
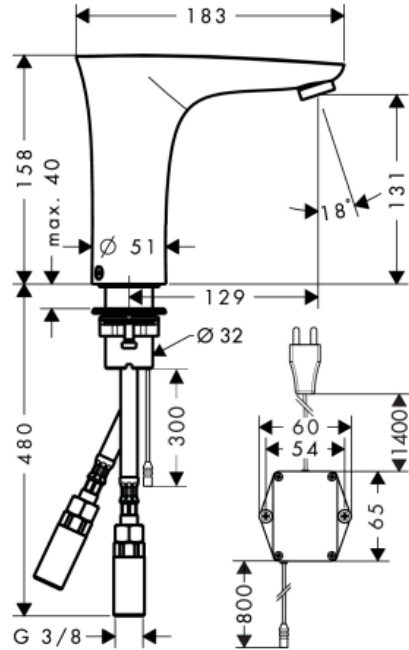


SPECIFICATION SHEET - fittings

BRAND:	hansgrohe	Product Photo: 
ORIGIN:	Germany	
SERIES:	PuraVida	
PRODUCT DESCRIPTION:	Electronic basin mixer with temperature control mains connection 230 V • ComfortZone 130 • Flow rate: 5 l./min. at 3 bar • Flow pressure; 1~5 bar (15~70 psi)	
MODEL No.	15172 000	
FINISH/COLOUR:	Chrome-plated	
DIMENSIONS:	158mm height 129mm spout projection	
OPTIONAL MATCHING PARTS:	1x Angle valve 1/2"x3/8" basin waste pop-up basin waste trap	

Technical Informations: Suitable for continous flow water heater



REMINDER: Pipe flushing must be done before faucets are installed. Failure to do so voids the warranty.
 Do not use cleaners containing abrasive cleansers, ammonia, bleach, acids, waxes, alcohol, solvents or other products not recommended for chrome.
 All information is for reference only, installation shall always be based on the actual product delivered.